

[TopPage](#)>>[Search Result](#)>>7304CDB

# Angular Contact Ball Bearings

Bearing No. : **NACHI 7304CDB**

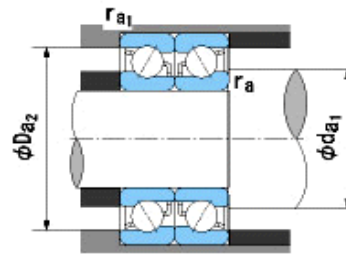
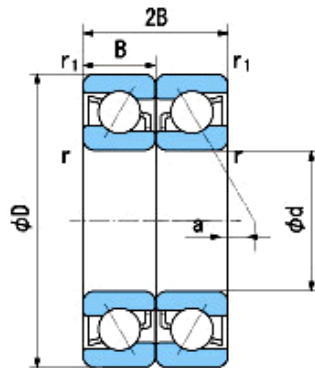
■ Bearing Type

■ Clearance

■ Tolerance Class

### Dimensions

d = 20<sup>0</sup><sub>-0.010</sub>  
 D = 52<sup>0</sup><sub>-0.013</sub>  
 B = 15<sup>0</sup><sub>0.000</sub>  
 r = 1.1~2  
 (Radial Direction)  
 r = 1.1~3.5  
 (Axial Direction)  
 r1 = 0.6~1  
 (Radial Direction)  
 r1 = 0.6~2  
 (Axial Direction)  
 a = -3.2



Dimensions  
 da1(min) = 27  
 da2(min) = 27  
 Da1(max) = 45  
 Da2(max) = 47  
 ra(max) = 1  
 ra1(max) = 0.6  
 Mass = 0.3 kg

Basic Dynamic Load Rating Cr :	<b>30,000</b> N
Basic Static Load Rating Cor :	<b>20,000</b> N
Limiting Speed ;	
Grease Lubrication :	<b>18,000</b> min <sup>-1</sup>
Oil Lubrication :	<b>25,000</b> min <sup>-1</sup>

	INNER RING	OUTER RING
O.D.Surface Runout with Side :		-
Axial Runout with Bore :	-	-
Axial Runout with Raceway :	-	-
Width Variation :	<b>0.020</b>	<b>0.020</b>
Radial Runout :	<b>0.013</b>	<b>0.025</b>